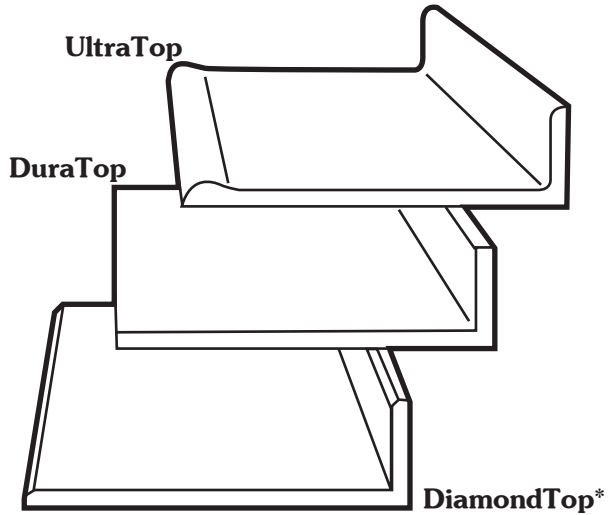


Choose Your Top

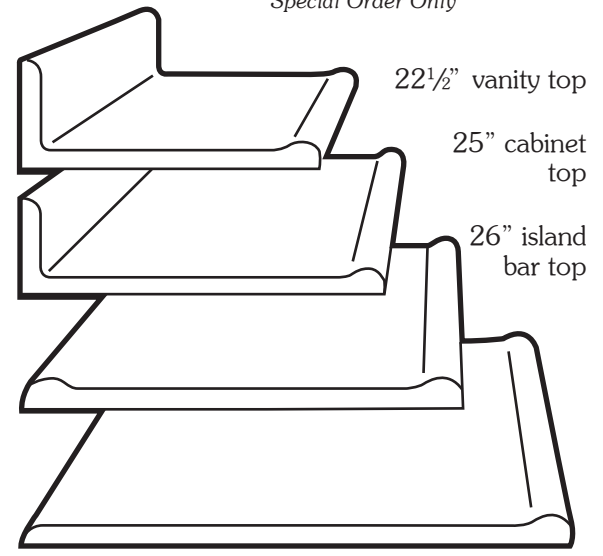


UltraTop: Formed from one piece with a curved (no drip) front nose, a 1/4" cover radius and curved backsplash.

DuraTop: The same one-piece construction with square-edged nose and backsplash.

DiamondTop*: The ultimate in precision with contrasting leveled nose and backsplash.

Special Order Only



© Hartson-Kennedy 1981

36" island bar top

Here's How to Measure for Your H-K Tops

Sketch in your cabinet arrangement on the grid at the right. This will help you double-check your measuring and requirements. Start with the rough shape. Then it is easy to decide counter lengths, depths and end finishes.

1. How to decide depth. A standard kitchen base cabinet is 24" deep. A standard 25" top will give about 1" of overhang at the front. (That's both practical and handsome.) The 25" top also has a right-angled backsplash that protects the wall 3 3/4" above the counter.

For an island top (not against a wall), you want that 1" overhang on each side (and no right-angled backsplash); so specify a 26" (island) top. If you have an island and want seating at the counter, specify a 36" top. That gives you 1" overhang on one side and about 11" on the other for knee space.

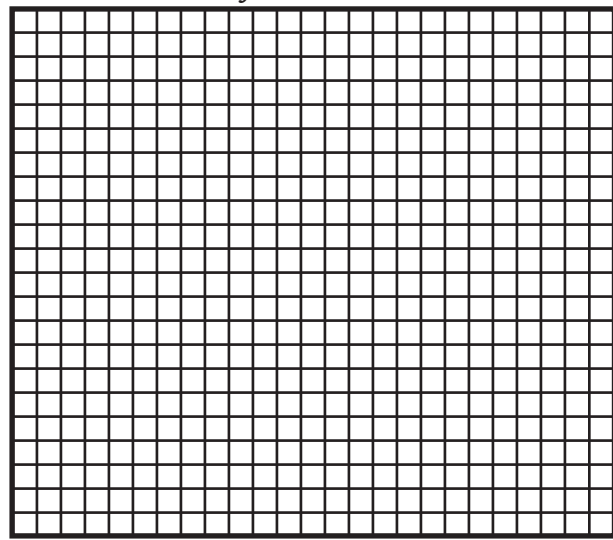
A standard vanity is 21" deep; use a 22 1/2" top.

2. Mark the length of each counter in the diagrams shown on the back of this folder. Be sure to mark depth of each "leg" so we know whether it's a standard or island top.

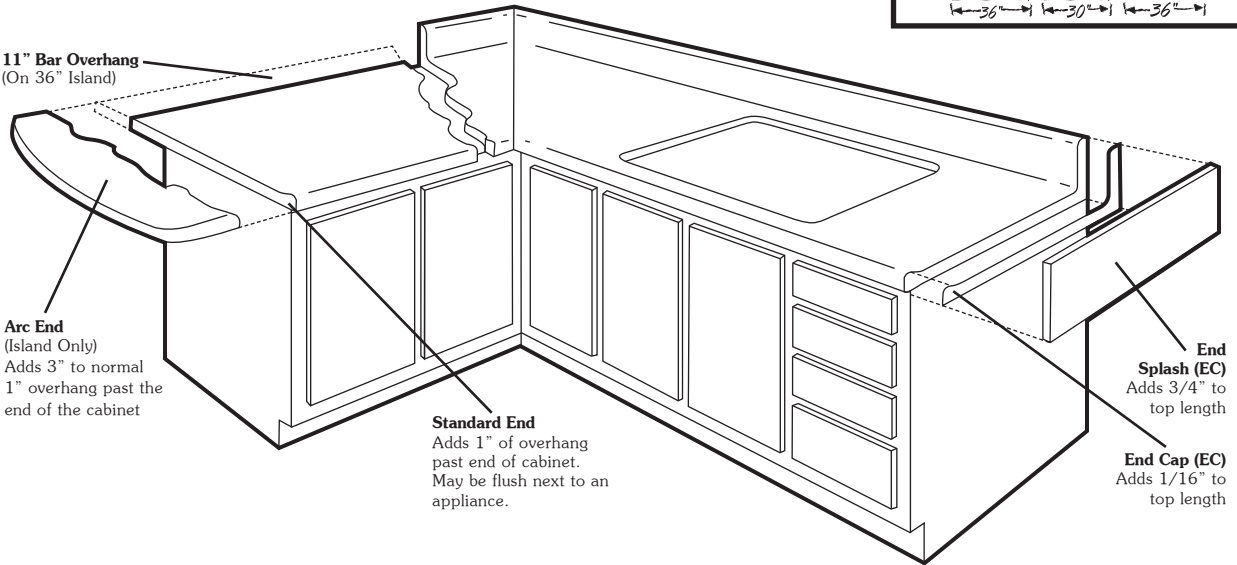
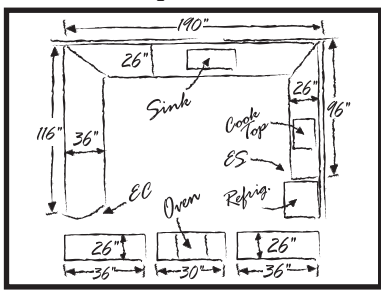
3. Mark the "cutouts" you need. Diagram the location dimensions of sinks or other cutouts (like a cooktop) in the diagrams provided, then list the full dimensions of these drop-in units on the order form.

4. Mark the end "finish". Wherever a counter is cut to length, you need a finish piece applied. Mark in ES for end splash (see drawing below) or EC for end cap.

Sketch your cabinets here:



Example Sketch:



Here's How Hartson-Kennedy Cabinet Tops "Measure Up"

Order Form

The measurements at right are to be used in ordering your tops. Once the order is placed, responsibility for accuracy is assumed by you so double-check carefully with your dealer.

Name _____

Address _____

City _____

State _____ Zip _____ Phone _____

Color and Pattern _____

UltraTop DuraTop DiamondTop

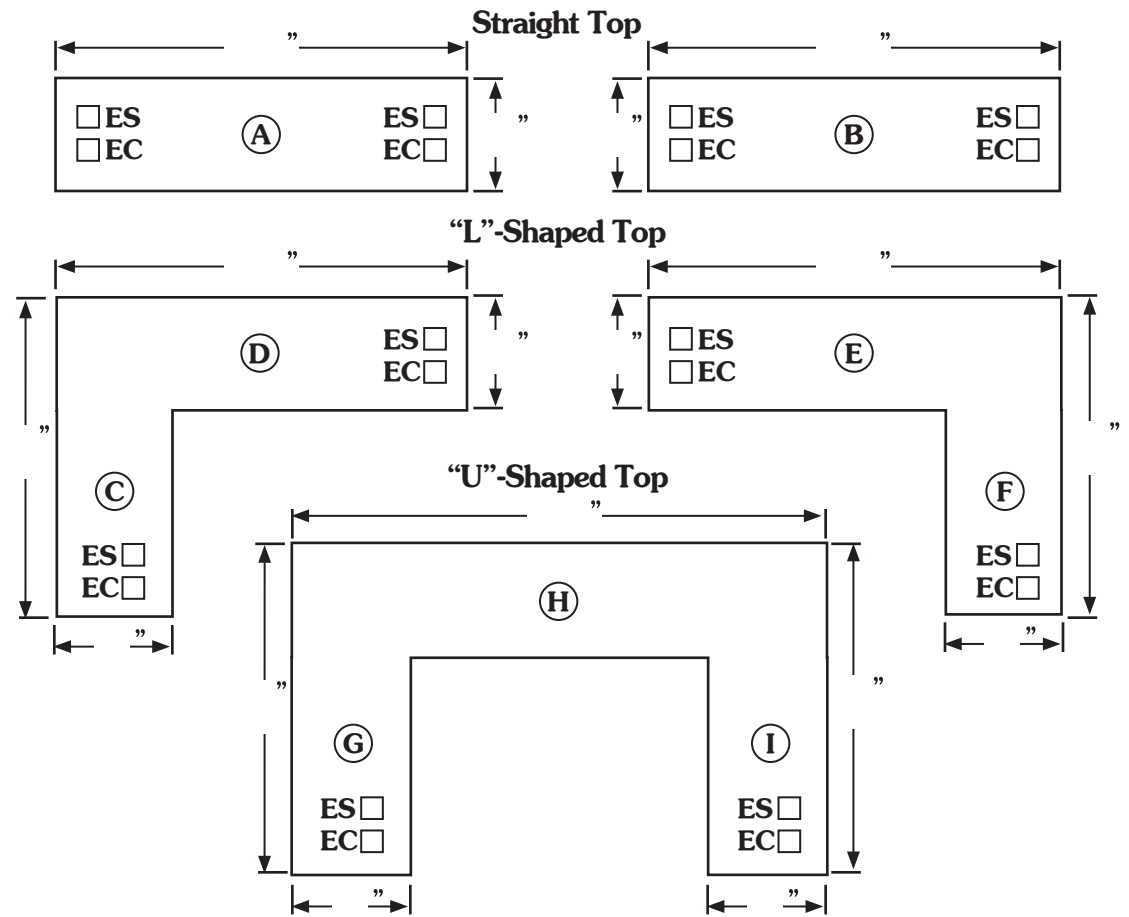
Specs for Cutout _____

Specs for Cutout _____

Signature _____

Date _____

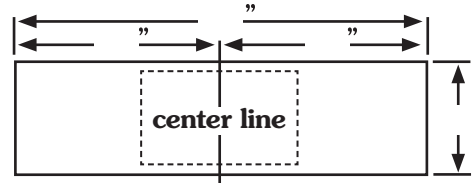
Record Your Measurement Here



Detail each End Cap (EC) or End Splash (ES) by checking the box provided at every end. Indicate arc ends with dotted lines.

Detail cutouts below. Show location by putting the key letter from your measurement diagram above. ((A) etc.) on the circle below.

Cutout Dimensions



Cutout Dimensions

